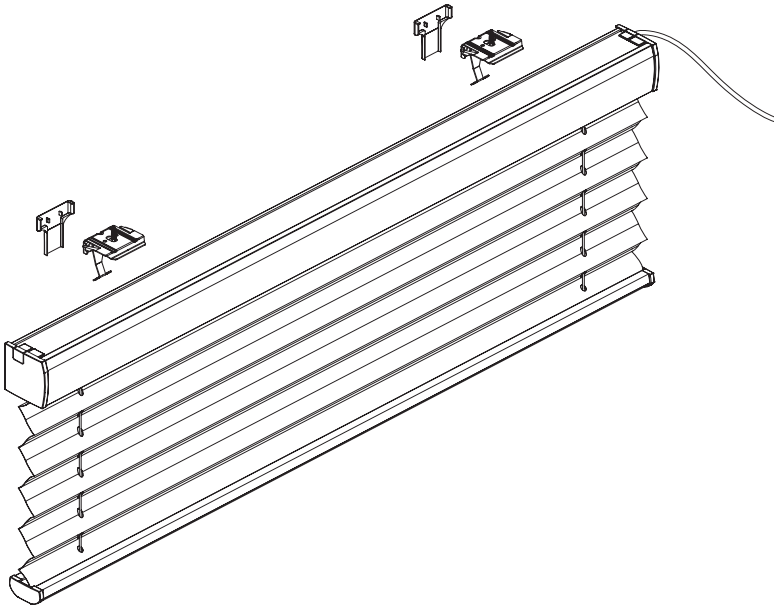


## Installation TopFix / RecessFix [R1]

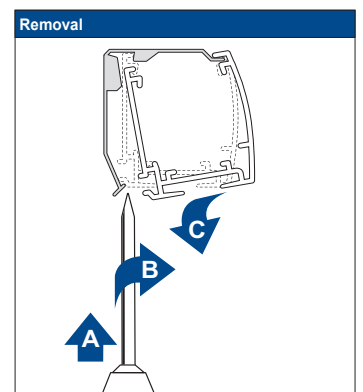
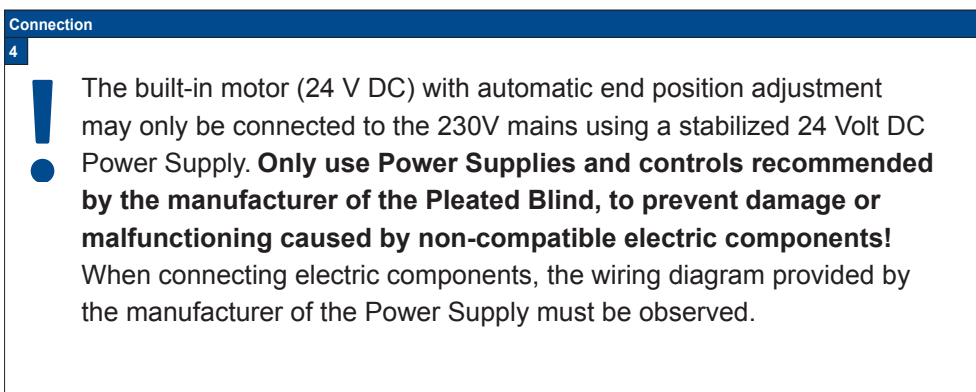
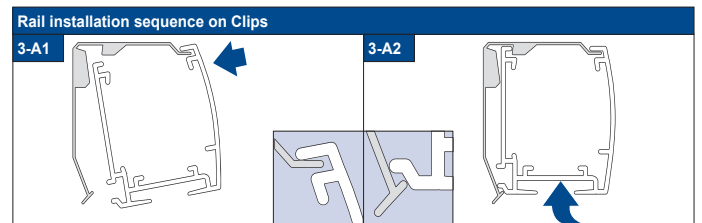
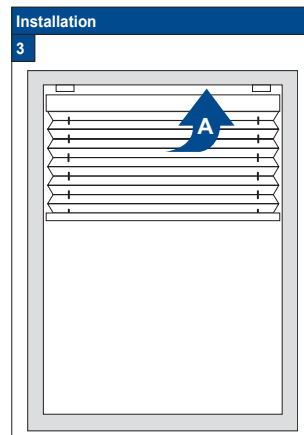
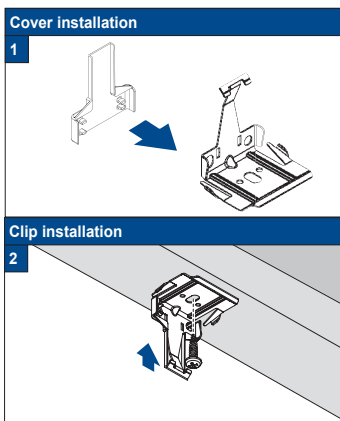
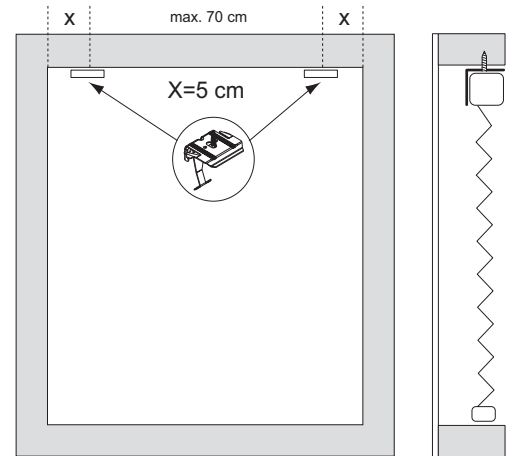
**Model  
AE10**

- ! Do not damage the product when using a sharp knife to open the packaging! Fitting screws: Use a size-2 screwdriver (PO-ZIDRIVE) or use an electric screwdriver at it's lowest torque. use the original screws enclosed, to prevent malfunctioning from using too thick screw heads!
- Rail removal: Use a flat screwdriver of max. 6 mm wide. Only

Installation and User's manual PB - GB



Product width	Number of parts		
0 - 80 cm	2	2	2
81 - 150 cm	3	3	3
151 - 220 cm	4	4	4
221 - 230 cm	5	5	5



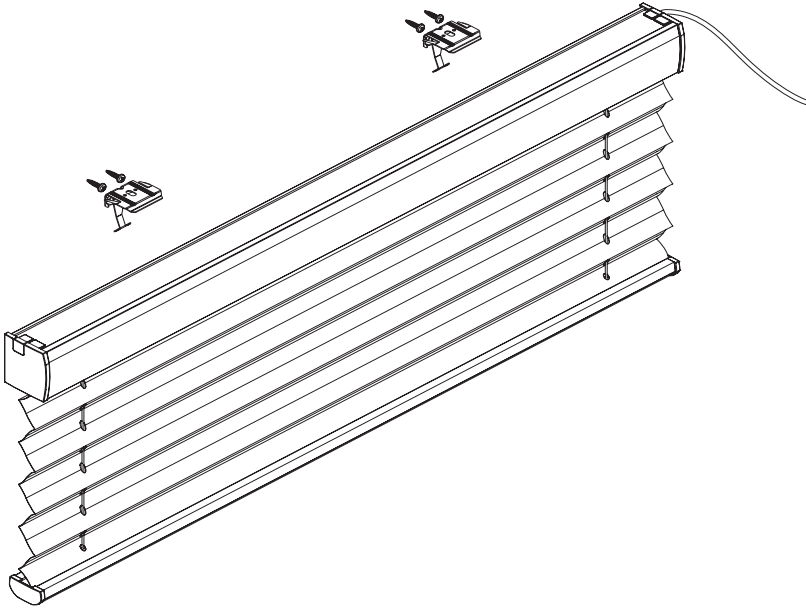
18-04-2014



## FaceFix installation to a window frame / wall [F1]

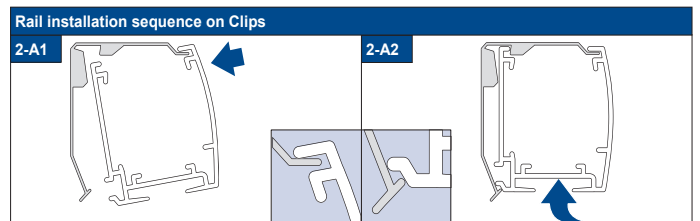
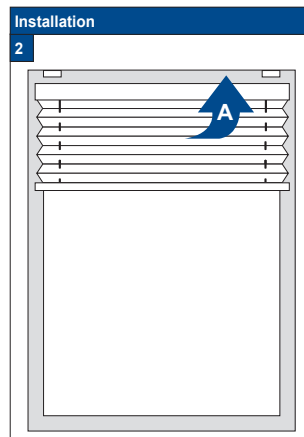
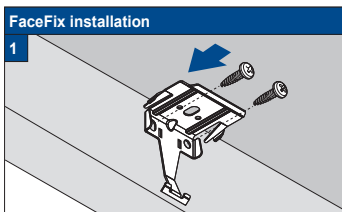
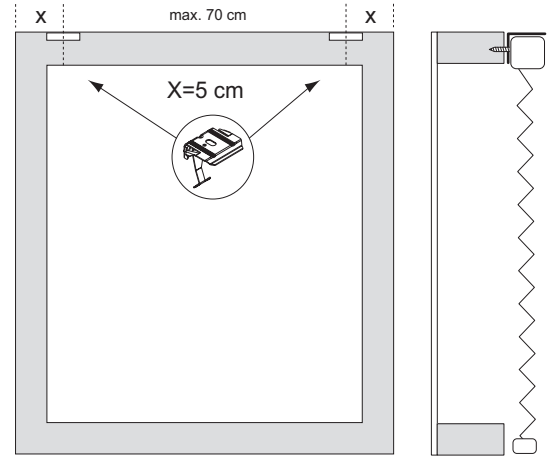
**Model  
AE10**

- ! Do not damage the product when using a sharp knife to open the packaging! Fitting screws: Use a size-2 screwdriver (PO-ZIDRIVE) or use an electric screwdriver at it's lowest torque. use the original screws enclosed, to prevent malfunctioning from using too thick screw heads!
- Rail removal: Use a flat screwdriver of max. 6 mm wide. Only

Installation and User's manual PB - GB



Product width	Number of parts	
		
0 - 80 cm	2	4
81 - 150 cm	3	6
151 - 220 cm	4	8
221 - 230 cm	5	10



18-04-2014

**Connection**

3

- ! The built-in motor (24 V DC) with automatic end position adjustment may only be connected to the 230V mains using a stabilized 24 Volt DC Power Supply. **Only use Power Supplies and controls recommended by the manufacturer of the Pleated Blind, to prevent damage or malfunctioning caused by non-compatible electric components!**
- When connecting electric components, the wiring diagram provided by the manufacturer of the Power Supply must be observed.

